

ICDI 23300 8vl



High Performance Ice Cooled Drop In Dispensers (ICDI) utilize advanced engineering simulations for the coldest drinks in the industry. They exceed all industry standards for draw capacity with flow rates up to 4.5 oz. per second.

Features

- › Easy serviceability/cleanability
- › Stainless steel construction with sealed-in cold plate
- › Ice bin insulated with CFC free structural foam
- › LEV® valves standard, other valves available upon request
- › Key lock switch

Accessories and Options

Ice Maker Compatibility

- › Conversion Stand
- › Marquee
- › Merchandiser
- › Splash Guards
- › Water Spigot
- › Power Supply

Certified by these agencies:



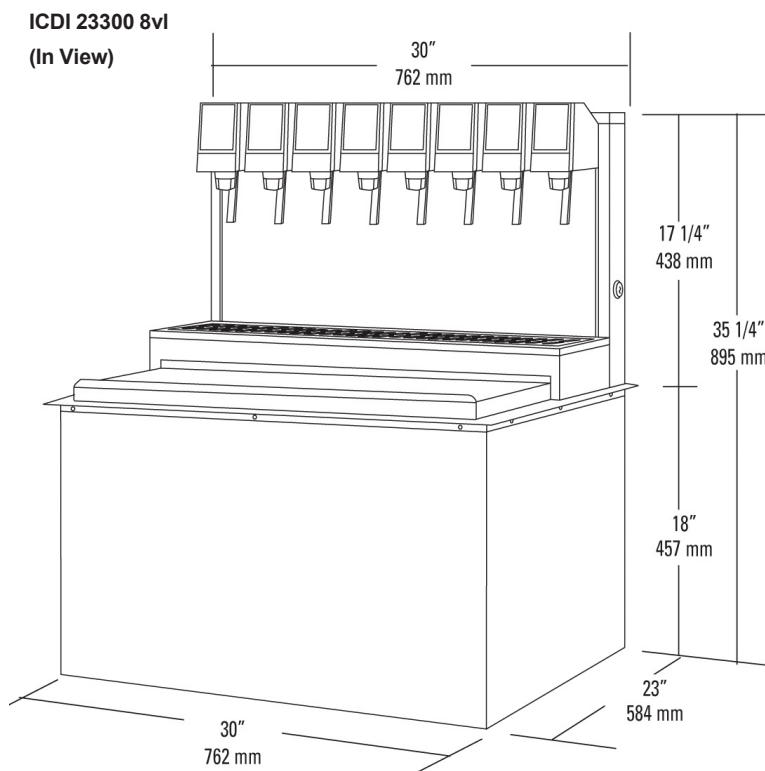
CUSTOMER SERVICE

Should you require more information about our products, please do not hesitate to contact our customer service team at custserv@lancerworldwide.com.



WARRANTY

For warranty specifics by product, contact your Lancer™ Sales Representative. Equipment design and/or specifications are subject to change without notice.



Distinctive Design

Meets or exceeds industry standards for performance

ICDI 23300 - 8 valves (3-1-1-3)
10 valves (3-1-2-1-3)

Dimensions

42.4" H x 25.2" W x 25.2" D
(1076.8 mm H x 640.4 mm W x 640.4 mm D)

Counter Cut-Out

23.25" W x 23.25" D
(591 mm W x 591 mm D)

Weight

6 & 8 valve: Operating: 273 lbs (124 kg)
Shipping: 230 lbs (104.3 kg)

10 valve: Operating: 304 lbs (137.9 kg)
Shipping: 255 lbs (115.7 kg)

Ice Capacity

100 lbs (45 kg)

Electrical

115V/60Hz
220-240V/50-60Hz

Fittings

Soda inlets: 3/8" (9.5 mm) male barb
Syrup inlets: 3/8" (9.5 mm) male barb
Drain: 3/4" (19.05 mm) PVC

For more information visit lancerworldwide.com or call 1-800-729-1500