

ICDI 2300 8v



### Standard Performance Ice Cooled Drop In Dispensers

(ICDI) are designed using the highest quality materials and proven technology providing our customers with consistent drink quality.

#### Features

- › Improved easy serviceability/cleanability
- › Stainless steel construction with sealed in cold plate
- › Ice bin insulated with CFC free structural foam
- › LEV® valves standard, other valves available upon request
- › Key lock switch

### Accessories and Options

#### Ice Maker Compatibility

- › Conversion Stand
- › Marquee
- › Merchandiser
- › Splash Guards
- › Power Supply
- › Valve Conversion Kit

Certified by these agencies:



#### CUSTOMER SERVICE

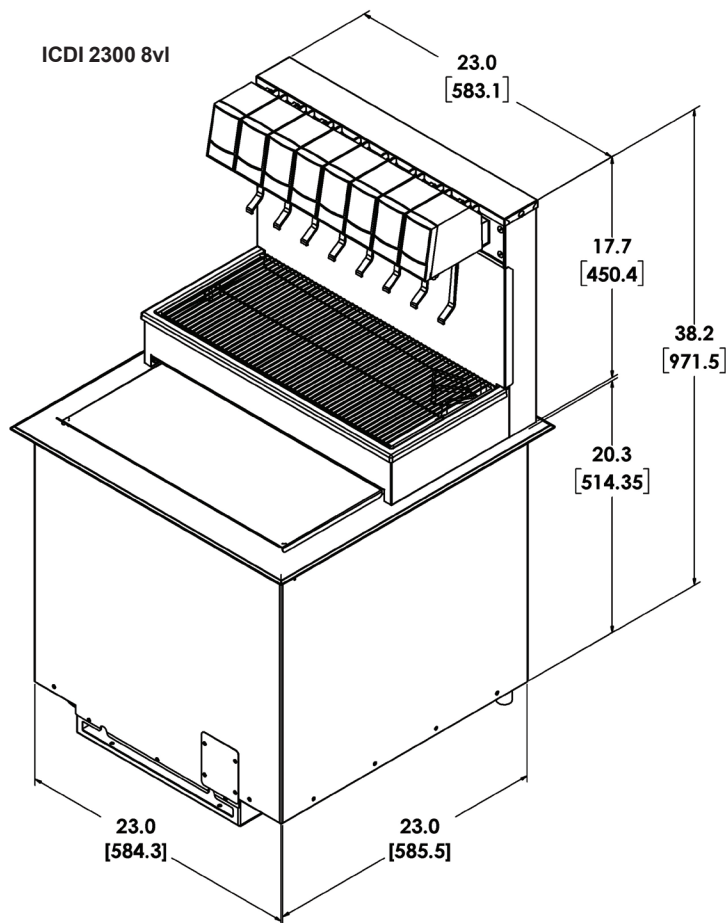
Should you require more information about our products, please do not hesitate to contact our customer service team at [custserv@lancerworldwide.com](mailto:custserv@lancerworldwide.com).



#### WARRANTY

For warranty specifics by product, contact your Lancer™ Sales Representative. Equipment design and/or specifications are subject to change without notice.

Standard Performance Ice Cooled Drop In Dispensers



### Distinctive Design

Meets or exceeds industry standards for performance

**ICDI 2200** -5 valves (2-2-1)

6 valves (3-2-1)

Removable splash plate and drip tray for easy cleaning

**ICDI 2300** -6 valves (2-1-1-2)

8 valves (3-1-1-3)

– Onsite Upgrade

– Front Plumbing Inlets

#### Dimensions

ICDI 2200 - 33.375" H x 15" W x 23" D  
(848 mm H x 381 mm W x 584 mm D)

ICDI 2300 - 38.2" H x 23" W x 23" D  
(970 mm H x 584 mm W x 584 mm D)

#### Counter Cut-Out

ICDI 2200 - 15.25" W x 23.25" D  
(387 mm W x 591 mm D)

ICDI 2300 - 23.25" W x 23.25" D  
(591 mm W x 591 mm D)

#### Weight

ICDI 2200 - Operating: 166 lbs (75 kg)  
Shipping: 175 lbs (79 kg)

ICDI 2300 - Operating: 206 lbs (93 kg)  
Shipping: 260 lbs (118 kg)

#### Ice Bank Weight

ICDI 2200 - 60 lbs (27.2 kg)

ICDI 2300 - 100 lbs (45 kg)

#### Electrical

ICDI 2200 - 115V/60Hz

ICDI 2300 - 115V/60Hz  
220-240V/50-60Hz

#### Fittings

Soda inlets: 3/8" (9.5 mm ) male barb

Syrup inlets: 3/8" (9.5 mm ) male barb

For more information visit [lancerworldwide.com](http://lancerworldwide.com) or call 1-800-729-1500