

ICDI2200 6vl



Accessories and Options

- › Conversion Stand
- › Marquee
- › Merchandiser
- › Splash Guards
- › 6 to 8 Valve Conversion Kit
- › Water Spigit
- › Power Supply

Certified by these agencies:



CUSTOMER SERVICE

Should you require more information about our products, please do not hesitate to contact our customer service team at custserv@lancerworldwide.com.

Standard Performance

The Ice Cooled Drop In Dispensers (ICDI) 2200 is designed using the highest quality materials and state-of-the-art technology providing our customers with consistent drink quality.

Features

- › Front plumbing inlets
- › Improved easy serviceability / cleanability
- › Tower designed with removable splash plate and drip tray for easy cleaning
- › Stainless steel construction with sealed-in cold plate
- › 3/4" drain with strainer to prevent ice blockage
- › Stainless steel flooded soda manifold and multiple plain water configuration
- › Ice bin insulated with CFC free structural foam
- › LEV Valves Standard,
Other valves available upon request
- › Key lock switch



WARRANTY

For warranty specifics by product, contact your Lancer™ Sales Representative. Equipment design and/or specifications are subject to change without notice.

Distinctive Design

Meets or exceeds industry standards for performance

- ICDI 2200 -5 valves (2-2-1)
- 6 valves (3-2-1)
- Removable splash plate and drip tray for easy cleaning

Draw Performance

Number of Drinks Below 40 Deg

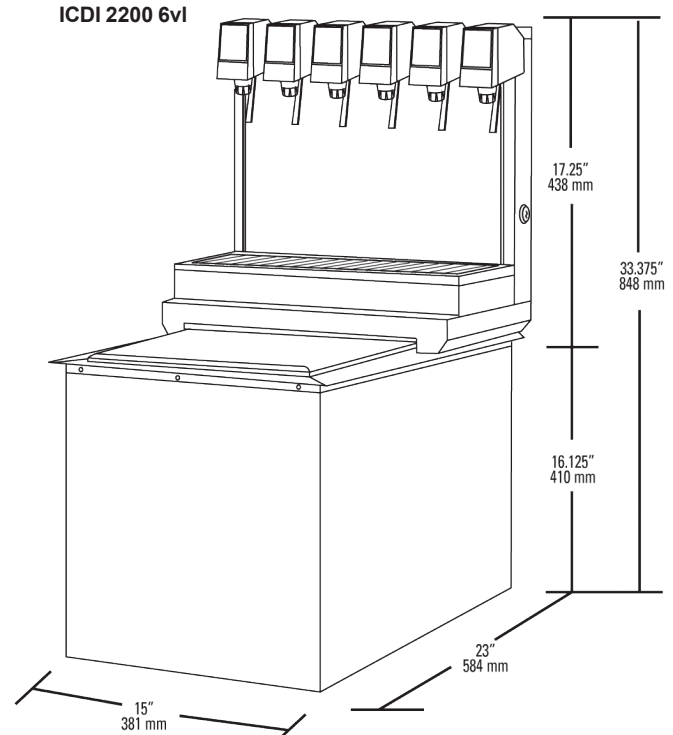
75°F (24°C) Ambient Temperature

12 oz./6 drinks per minute
24 oz./4 drinks per minute

90°F (32°C) Ambient Temperature

12 oz./4 drinks per minute
24 oz./3 drinks per minute

**Units can supply drinks under 40°F at rated draw performance continuously as long as ice is kept on cold plate.*



Dimensions

33.375" H x 15" W x 23" D
(848mm H x 381 mm W x 584 mm D)

Counter Cut Out

15.25" x 23.25"
(387 mm x 591 mm)

Weight

Operating: 166 lbs (75 kg)
Shipping: 130 lbs (59 kg)

Ice Capacity

60 lbs (27.2 kg)

Electrical

24VAC / 60H

Fittings for both units

Syrup & Soda Inlets: 3/8" (9.5 mm) male barb
Drain: 3/4" (19.05 mm) PVC

For more information visit lancerworldwide.com or call 1-800-729-1500