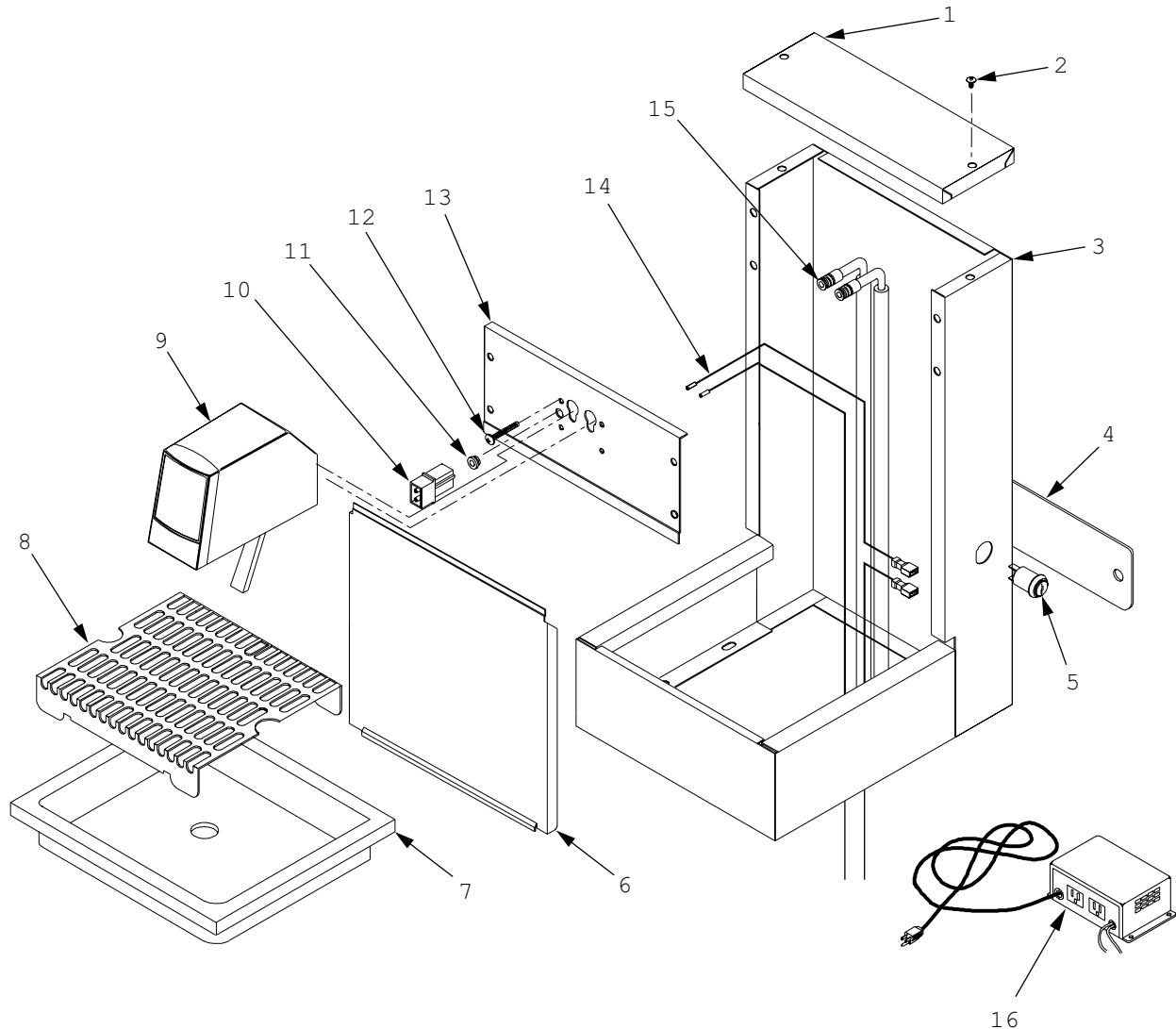


The following illustrates the parts associated with one and two valve towers.

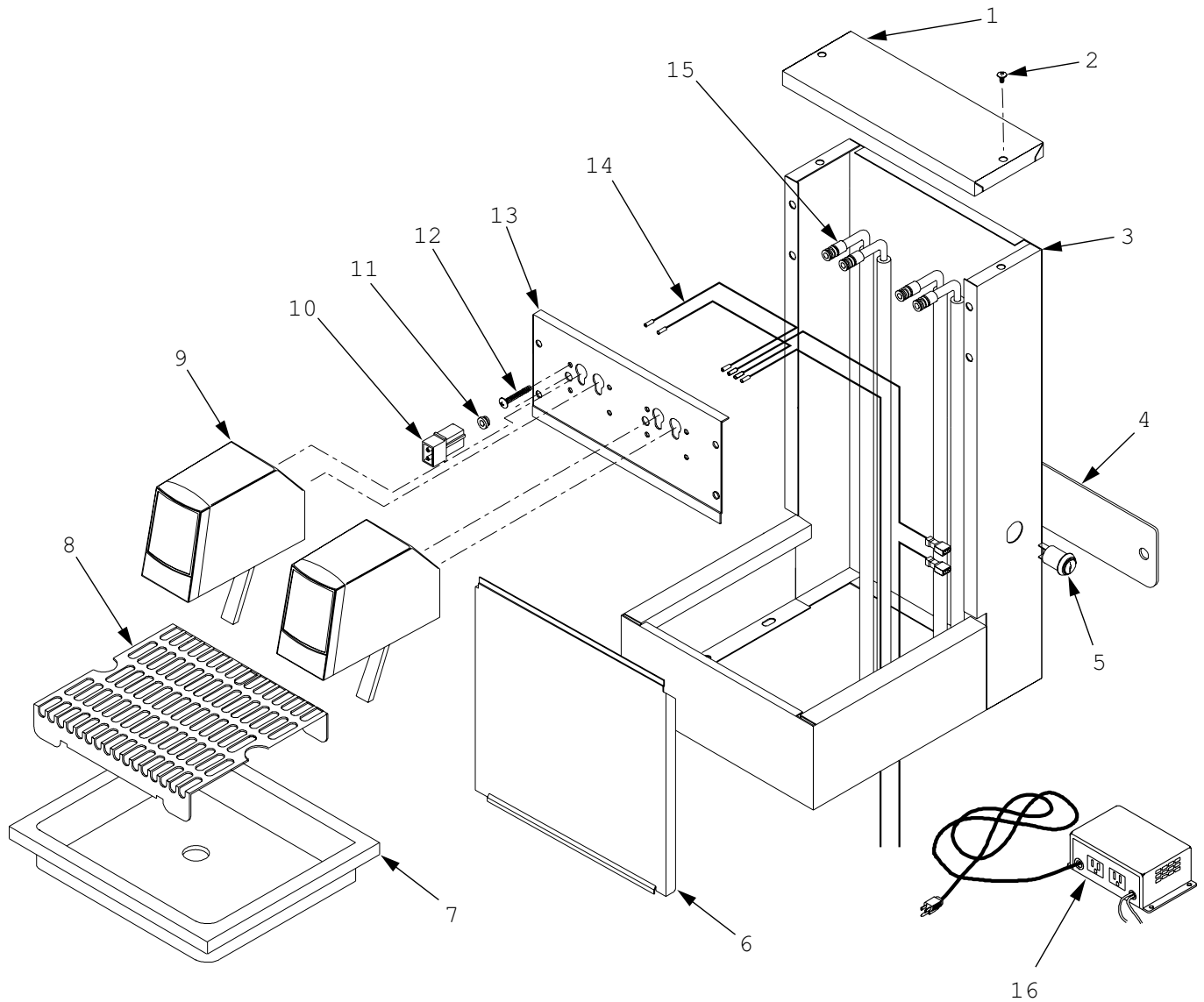
### One Valve Tower



<u>Item</u>	<u>Part No.</u>	<u>Description</u>	<u>CCUSA PN</u>	<u>Item</u>	<u>Part No.</u>	<u>Description</u>	<u>CCUSA PN</u>
1	30-1648	Tower Cap	24776	8	30-1651	Cup Rest	24777
2	04-0148	Screw, 10 - 24 x 0.250	10114	9	19-0077	LEV® 19765	
R 3	51-5604	Tower Assy		10	11-0015	Housing, 2 Socket, Male	10421
4	30-0612	Back Plate	15993	11	02-0005	Strain Relief Bushing	10050
5	12-0097	Key Lock	23955	R 12	04-1089	Screw, 10-32 x 1.000, RH, PH/SL	
6	30-1649/01	Splash Plate	24778	13	30-1654	Faucet Plate (1 Valve)	
7	05-0953	Drip Tray	24775	14	52-1082	Wire Harness	
-	05-0610/01	Elbow Drain	23782	R 15	01-1529	Fitting, Elbow, Dole x 3/8" Barb	
-	05-0611	Collar Drain	23783	R 16	82-2236	Power Supply Kit, Marquee	
-	02-0221	O-Ring	22363				

R in margin indicates change or revision

# Two Valve Tower



<b>Item</b>	<b>Part No.</b>	<b>Description</b>	<b>CCUSA PN</b>	<b>Item</b>	<b>Part No.</b>	<b>Description</b>	<b>CCUSA PN</b>
1	30-1648	Tower Cap	24776	8	30-1651	Cup Rest	24777
2	04-0148	Screw, 10 - 24 x 0.250	10114	9	19-0077	LEV®	19765
R 3	51-5604	Tower Assy		10	11-0015	Housing, 2 Socket, Male	10421
4	30-0612	Back Plate	15993	11	02-0005	Strain Relief Bushing	10050
5	12-0097	Key Lock	23955	R 12	04-1089	Screw, 10-32 x 1.000, RH, PH/SL	
6	30-1649/01	Splash Plate	24778	13	30-1652	Faucet Plate (2 Valve)	
7	05-0953	Drip Tray	24775	14	52-1083	Wire Harness	
-	05-0610/01	Elbow Drain	23782	R 15	01-1529	Fitting, Elbow, Dole x 3/8" Barb	
-	05-0611	Collar Drain	23783	R 16	82-2236	Power Supply Kit, Marquee	
-	02-0221	O-Ring	22363				

R in margin indicates change or revision

Lancer Corp., 6655 Lancer Blvd., San Antonio, Texas 78219 - 800-729-1500 - Technical Support/Warranty: 800-729-1550

custserv@lancercorp.com - lancercorp.com - Manual PN: 28-0150/03 - October 2016

"Lancer" is the registered trademark of Lancer © 2016 by Lancer, all rights reserved.