

□ DTS 1.0



Built on the Sensation platform, the **Drive Thru Solution (DTS)** delivers a ‘back of house’ beverage dispenser with a smaller footprint, greater brand selection and ice types, and carbonated and non-carbonated flexibility, all while improving Speed of Service and reducing labor.

Features

- 24 brand capability (16 chilled / 8 ambient)
- Sensation ice system ensures dispensing of all common ice types
- **Lancer Link™** enabled
- Integrated touch screens with intuitive functionality
- No carry over (sweet, color, or taste)
- 2-piece ice bin lid allows for larger opening for fill
- Cast-in cold carbonation
- Lancer Flow Controls (LFCV)
- Lid holder included
- Pump deck included

Accessories and Options

Sold Out Kit

Ice Maker Adapter Kit

Drip Tray or Extended Splash Plate

Certified by these agencies:



Model 4800D



WARRANTY

For warranty specifics by product, contact your Lancer Sales Representative. Equipment design and/or specifications are subject to change without notice.

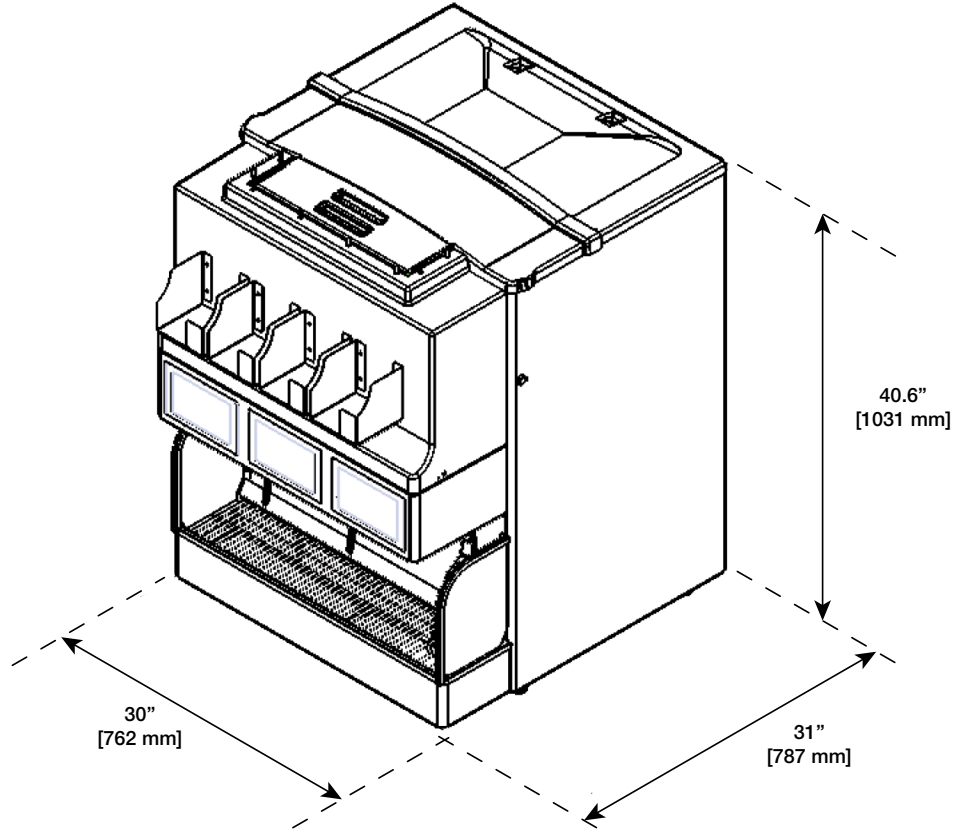
CUSTOMER SERVICE

Should you require more information about our products, please do not hesitate to contact our customer service team at custserv@lancerworldwide.com.

Drive Thru Solution (DTS)

□ DTS 1.0

Drive Thru Solution (DTS)



Dimensions

Height: 40.6" (1031 mm)
Width: 30" (762 mm)
Depth: 31" (787 mm)

Space Required

Width: 32" (1168 mm)
Depth: 36" (1016 mm)
Height: Allow sufficient clearance for manually filling with ice or refer to ice maker recommendations for top clearance.

Electrical

115V / 60 Hz / 5 Amps

Weight

With Ice: 570 lbs (259 kg)
Shipping: 290 lbs (132 kg)

Ice

Capacity: 270 lbs (123 kg)
Accepts 30" and 22" wide ice makers
(adapters may be required)

Fittings

Soda Inlets: 3/8" (9.5mm) male barb
Chilled Syrup Inlets: 3/8" (9.5mm) male barb
Ambient Syrup/Bonus Inlets: 1/4" (6.5mm) male barb

Flex Manifold Configuration

Total carb / non-carb flexibility
Up to 24 brands (16 chilled / 8 ambient)

For more information visit lancerworldwide.com or call 1-800-729-1500