

□ ICDI 2323 6vl □ ICDI 2323 8vl □ ICDI 2323 10vl

ICDI 2323 8vl



Accessories and Options

Conversion Stand
Marquee
Merchandiser
Splash Guards
6 Valve to 8 Valve Conversion Kit
Water Spigot
Power Supply

Certified by these agencies:



CUSTOMER SERVICE

Should you require more information about our products, please do not hesitate to contact our customer service team at custserv@lancerworldwide.com.

High Performance Ice Cooled Drop In Dispensers (ICDI)

utilize advanced engineering simulations for the coldest drinks in the industry. They exceed all industry standards for draw capacity with flow rates up to 4.5 oz. per second.

Features

- Front plumbing inlets
- Improved easy serviceability/cleanability
- 100 % carbonation and plain water flexibility
- Stainless steel hard plumbed towers
- Easy to use switch over fitting (8 & 10 valve)
- LEV® valves standard, other valves available upon request
- Key lock switch



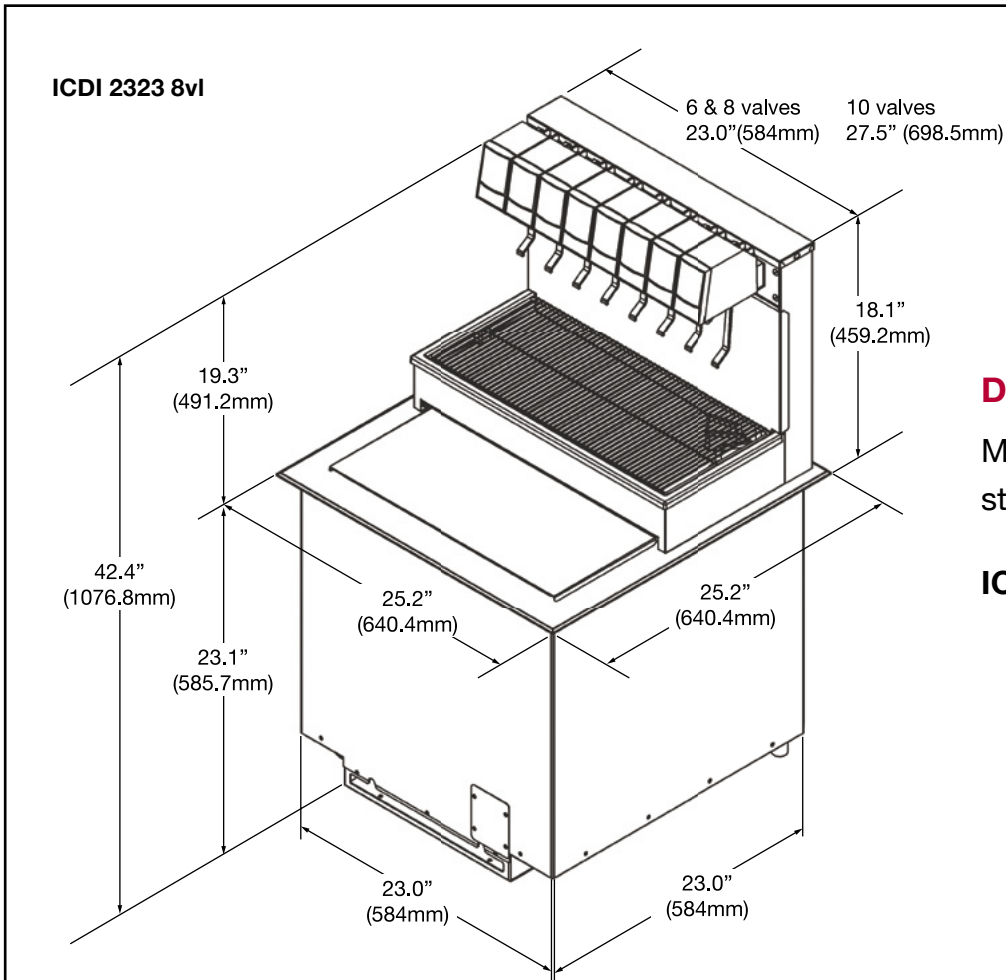
WARRANTY

For warranty specifics by product, contact your Lancer™ Sales Representative. Equipment design and/or specifications are subject to change without notice.

High Performance Ice Cooled Drop In Dispensers

□ ICDI 2323 6vl □ ICDI 2323 8vl □ ICDI 2323 10vl

High Performance Ice Cooled Drop In Dispensers



Distinctive Design

Meets or exceeds industry standards for performance

ICDI 2323 - 6 valves (3-2-1)
8 valves (Full Flex)
10 valves (Full Flex)

Dimensions

42.4" H x 25.2" W x 25.2" D
(1076.8 mm H x 640.4 mm W x 640.4 mm D)

Counter Cut-Out

23.25" W x 23.25" D
(591 mm W x 591 mm D)

Weight

6 & 8 valve: Operating: 273 lbs (124 kg)
Shipping: 230 lbs (104.3 kg)

10 valve: Operating: 304 lbs (137.9 kg)
Shipping: 255 lbs (115.7 kg)

Ice Capacity

100 lbs (45 kg)

Electrical

115V/60Hz
220-240V/50-60Hz

Fittings

Soda inlets: 3/8" (9.5 mm) male barb
Syrup inlets: 3/8" (9.5 mm) male barb
Drain: 3/4" (19.05 mm) PVC

For more information visit lancerworldwide.com or call 1-800-729-1500

6655 Lancer Boulevard • San Antonio, TX 78219 • 210-310-7000 • Fax: 210-310-7250 • © 2021 Lancer™ Worldwide • ICDI HP 01/22

"Lancer" and "Lancer Worldwide" are trademarks of Lancer Corp. © 2021 by Lancer™, all rights reserved.