

□ DBF-40SAC



### The **BreezeR Draft Dispenser**

is perfect for portable bars, special events, caterers, golf clubs, micro-breweries, home use and more.

- Cold beer in a flash
- Serve cold beer from an ambient keg with a compact, appealing dispenser
- The C-tap has a separate beer pour spout and foam spout, so that creamy, long lasting foam can form on top of the beer
- Small footprint allows flexibility for placement

### Accessories and Options

CO2 cylinder

CO2 primary regulator

Keg coupler/tap

Barrier beer tubing, NSF certified

Red air supply line, NSF / FDA listed

Fittings: hose stems, hose clamps, washers, wing nuts

Certified by these agencies:



DBF-40SAC-R

### CUSTOMER SERVICE

Should you require more information about our products, please do not hesitate to contact our customer service team at [custserv@lancerworldwide.com](mailto:custserv@lancerworldwide.com).



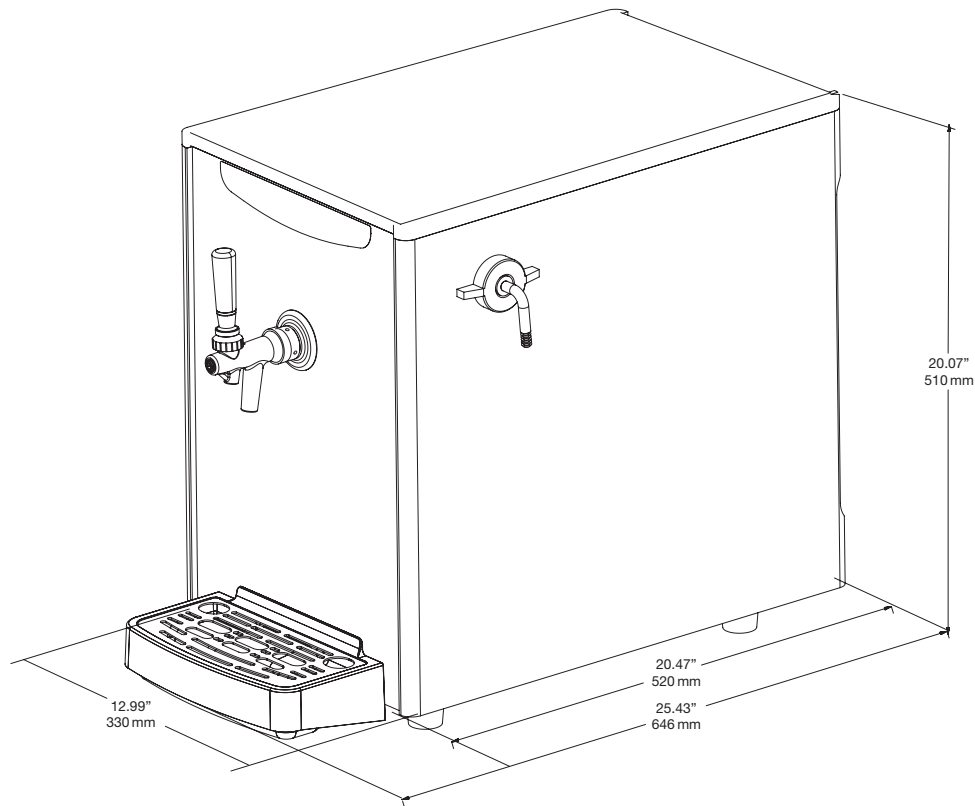
### WARRANTY

For warranty specifics by product, contact your Lancer Sales Representative. Equipment design and/or specifications are subject to change without notice.

For more Information visit [lancerworldwide.com](http://lancerworldwide.com) or call 1-888-846-6729

□ DBF-40SAC

BreezeR Countertop Draft Dispenser



### Dimensions

Width: 12.99" (330 mm)

Depth without drip tray: 20.47" (520 mm)

Depth with drip tray: 25.43" (646 mm)

Height: 20.07" (510 mm)

### Weight

61.72 lbs (28 kg)

### Electrical

115V 60Hz

### Refrigerant

R134a

### Dispensing Capacity

10.6 gal (40 L) / 4 hours

### Ice Storage Capacity

17.63 lbs (10 kg)

For more information visit [lancerworldwide.com](http://lancerworldwide.com) or call 1-888-846-6729