

Portion Control Push Button



Accessories and Options

Power Supply

Chiller

Branding Medallion

Certified by these agencies:



CUSTOMER SERVICE

Should you require more information about our products, please do not hesitate to contact our customer service team at custserv@lancerworldwide.com.

UNICORN

The **Unicorn** is no longer a fantasy. Designed with a sleek retro look, the Unicorn font adds character and style to your bar or restaurant dining experience.

Features

- Promoting integrity and above counter brand advertising.
- The through bar mounting is sleek, self-contained with a small footprint.
- Products are served with pinpoint accuracy, by pulling the handle, holding the flavor button, or by the optional portion control buttons.
- Lancer™ Flow Control Valve (LFCV) Technology
- 4 Brands and carbonated water
- Available for Single brand

Unicorn Tower Beverage Dispenser



WARRANTY

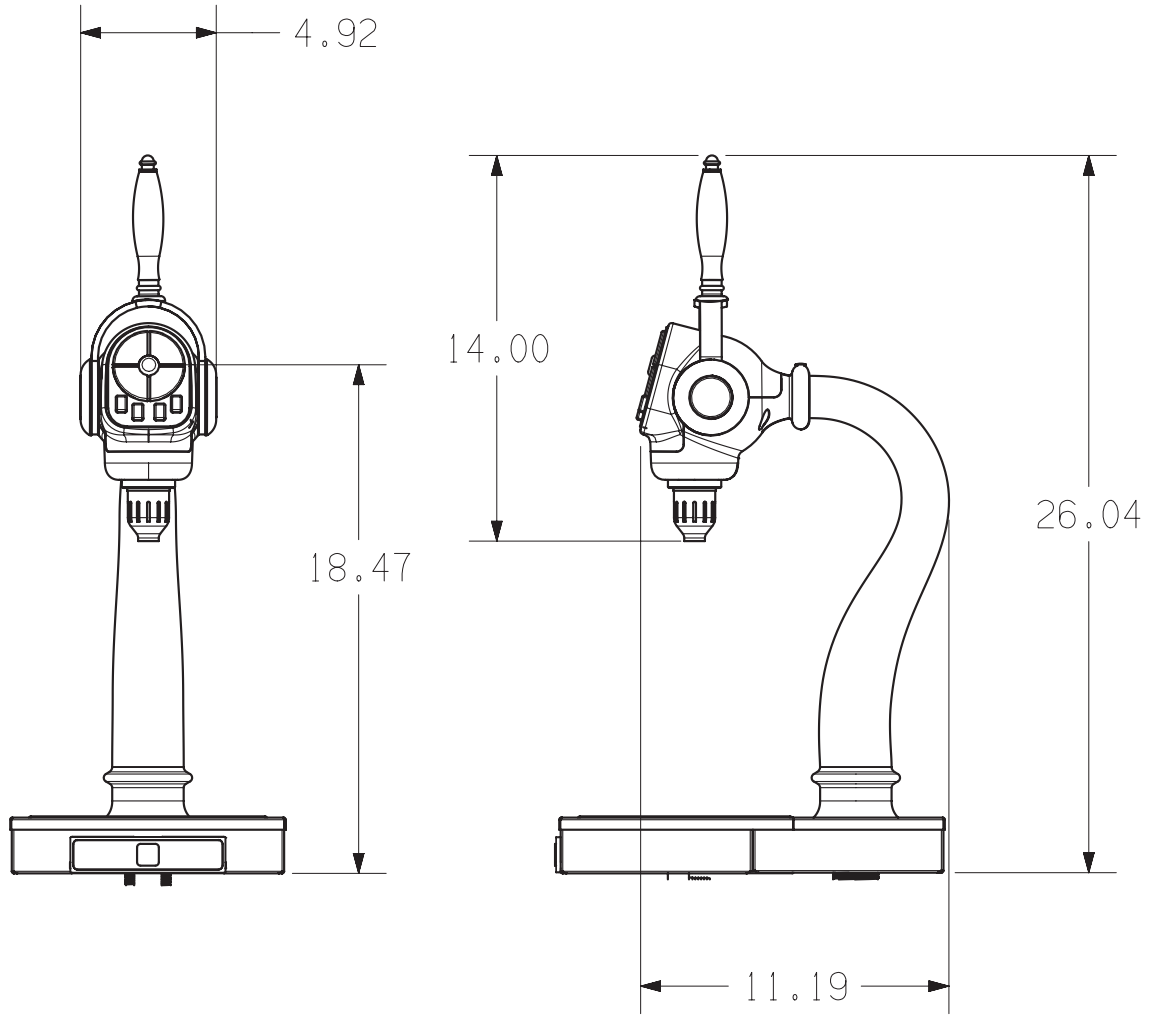
For warranty specifics by product, contact your Lancer™ Sales Representative. Equipment design and/or specifications are subject to change without notice.

For more information visit lancerworldwide.com or call 1-800-729-1500

6655 Lancer Boulevard • San Antonio, TX 78219 • 210-310-7000 • Fax: 210-310-7250 • © 2021 Lancer™ Worldwide • Unicorn 03/21

Portion Control Push Button

Unicorn Tower Beverage Dispenser



Dimensions

Tower

Width: 9.12" (232 mm)
 Depth: 14.00" (356 mm)
 Height: 27.50" (699 mm)

Control Box (Valves)

Width: 13.075" (323 mm)
 Depth: 8.12" (206 mm)
 Height: 6.07" (154 mm)

Electrical

24V/50/60Hz
 (transformer not included)

Weight

Shipping: 35 lbs (16 kg)

Fittings

Carbonated water inlet: 3/8" quick disconnect
 Syrup inlets: 1/4" male barb

Flow Rate

LFCV: 1.75 oz/sec

For more information visit lancerworldwide.com or call 1-800-729-1500

6655 Lancer Boulevard • San Antonio, TX 78219 • 210-310-7000 • Fax: 210-310-7250 • © 2021 Lancer™ Worldwide • Unicorn 03/21

"Lancer" and "Lancer Worldwide" are trademarks of Lancer Corp. © 2021 by Lancer™, all rights reserved.