

Sensation 44



Sensation 30



Accessories and Options

Sensation 30:
Medallion Merchandiser

Sensation 44:
LCD Merchandiser
Stainless Steel or Matte Black exterior
Flavor Shot Module with up to 8 bonus flavors
Dual Ice Divider
Extended Splashplate

Certified by these agencies:



CUSTOMER SERVICE

Should you require more information about our products, please do not hesitate to contact our customer service team at custserv@lancerworldwide.com.

Now you can deliver the chewable ice that your customers crave with the Lancer™ **Sensation** chewable ice beverage dispenser. Designed to dispense chewable ice reliably and hassle-free, every time. For your customers that desire chewable ice, this is the solution.

Features

- Dispenses cubelet ice without a change to the equipment
- High capacity drip tray reduces clean up and avoids safety issues due to spills
- Serviceable parts are located on the front of the unit for easy access
- Durable hex drive ice agitation system for trouble-free operation and long service life
- Multiple valve options available for self-serve applications
- Portion control valves available to control beverage costs (Sensation 30)
- Cold carbonation for crisp, fresh tasting beverages. (Sensation 44)
- Environmentally friendly LED lighting improves presentation
- Stainless steel construction exterior and interior
- High capacity ice storage bin
- Key lock switch



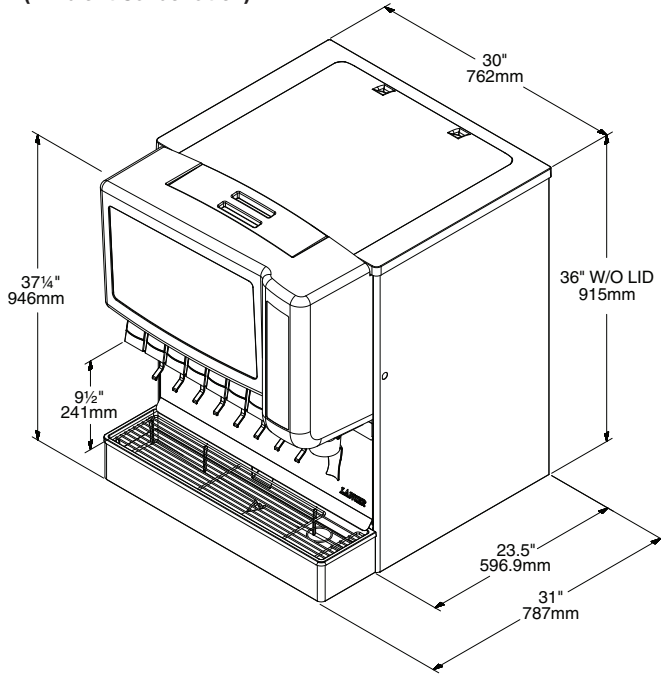
WARRANTY

For warranty specifics by product, contact your Lancer™ Sales Representative. Equipment design and/or specifications are subject to change without notice.

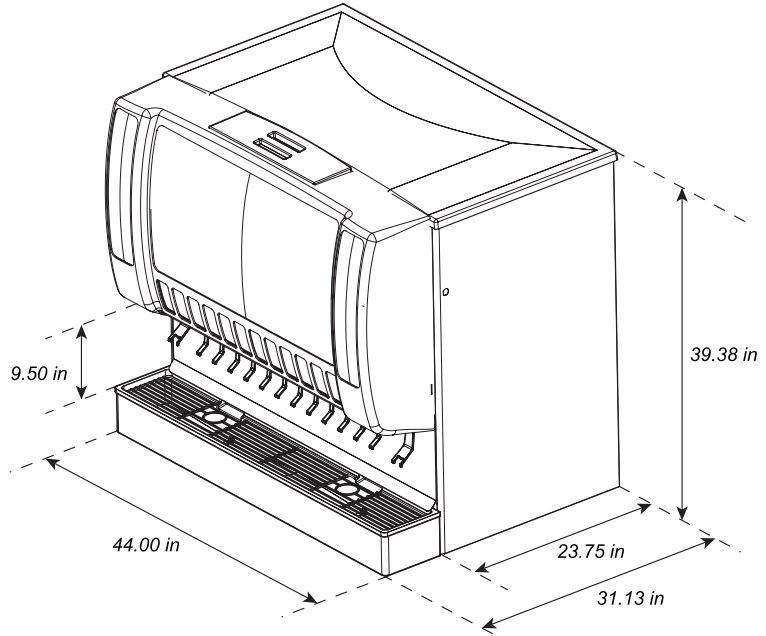
□ Sensation 30 □ Sensation 44

Sensation Cold Carbonation Ice Beverage Dispensers

Sensation 30
(Ambient Carbonation)



Sensation 44
(Cold Carbonation)



Dimensions

Sensation 30 - 37.25" H x 30" W x 31" D
(946 mm H x 762 mm W x 787 mm D)
Sensation 44 - 39.375" H x 44" W x 31" D
(1000 mm H x 1118 mm W x 787 mm D)

Space Required

Sensation 30 - Width: 32" (813 mm)
Depth: 39" (991 mm)
Height: Allow sufficient clearance for manually filling with ice or refer to ice maker recommendation for top clearance.
Sensation 44 - Width: 46" (1168.4 mm)
Depth: 40" (1016 mm)
Height: Allow sufficient clearance for manually filling with ice or refer to ice maker recommendation for top clearance.

Weight

Sensation 30 - With ice: 525 lbs (238 kg)
Shipping: 335 lbs (152 kg)
Sensation 44 - With ice: 745 lbs (338 kg)
Shipping: 585 lbs (265 kg)

Ice Bank Weight

Sensation 30 - Capacity: 250 lbs (113 kg)
Dispensable: 185 lbs (84 kg)
Accepts 30" and 22" wide ice makers
(adapters may be required)
Sensation 44 - Capacity: 312 lbs (142 kg)
Dispensable: 255 lbs (116 kg)
Accepts 30" and 22" and 44" wide ice makers
(adapters may be required)

Electrical

Sensation 30 - 220-240V, 50/60 Hz, 1.5Amps
Sensation 44 - 220-240V, 50/60 Hz, 3Amps

Fittings for both units

Syrup & Soda Inlets: 3/8" (9.5 mm) male barb

Valves

Sensation 30 - LEV® or VersaPour
Sensation 44 - LEV® or VersaPour

Flex Manifold Configuration

Sensation 30 - 8 Valve: 3-1-1-3
Sensation 44 - 12 Valve: 3-1-1-1-1-1-1-3

For more information visit lancerworldwide.com or call 1-800-729-1500