

ICDI 2323 8v



High Performance Ice Cooled Drop In Dispensers (ICDI) utilize advanced engineering simulations for the coldest drinks in the industry. They exceeds all industry standards for draw capacity with flow rates up to 4.5 oz. per second.

Features

- Front plumbing inlets
- Improved easy serviceability/cleanability
- 100 % carbonation and plain water flexibility
- Stainless steel hard plumbed towers
- Easy to use switch over fitting
- LEV® valves standard, other valves available upon request
- Key lock switch

Accessories and Options

- Conversion Stand
- Marquee
- Merchandiser
- 6 valve to 8 valve Conversion Kit
- Splash Guards
- Water Spigot
- Power Supply

Certified by these agencies:



CUSTOMER SERVICE

Should you require more information about our products, please do not hesitate to contact our customer service team at custserv@lancerworldwide.com.



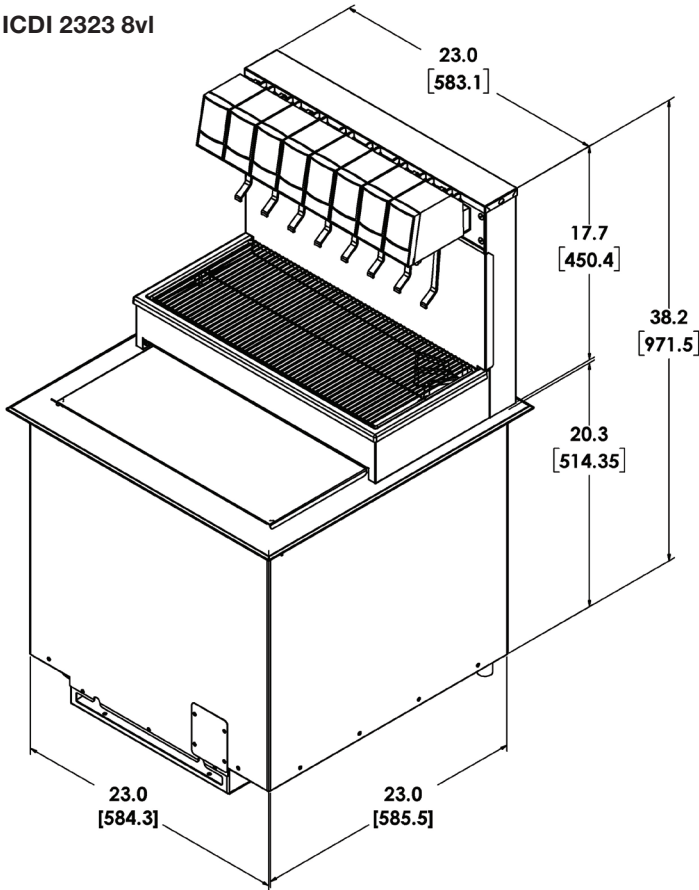
WARRANTY

For warranty specifics by product, contact your Lancer™ Sales Representative. Equipment design and/or specifications are subject to change without notice.

High Performance Ice Cooled Drop In Dispensers

- ICDI 2323 6V □ ICDI 2323 8V □ ICDI 2323 10V

ICDI 2323 8v



Distinctive Design

Meets or exceeds industry standards for performance

- ICDI 2323** - 6 valves (2-1-1-2)
 8 valves (3-1-1-3)
 10 valves (3-1-2-1-3)

Dimensions

38.2" H x 23" W x 23" D
 (970 mm H x 584 mm W x 584 mm D)

Counter Cut-Out

23.25" W x 23.25" D
 (591 mm W x 591 mm D)

Weight

Operating: 240 lbs (109 kg)
 Shipping: 266 lbs (121 kg)

Ice Bank Weight

100 lbs (45 kg)

Electrical

115V/60Hz
 220-240V/50-60Hz

Fittings

Soda inlets: 3/8" (9.5 mm) male barb
 Syrup inlets: 3/8" (9.5 mm) male barb

For more information visit lancerworldwide.com or call 1-800-729-1500

6655 Lancer Boulevard • San Antonio, TX 78219 • 210-310-7000 • Fax: 210-310-7250 • © 2021 Lancer™ Worldwide • ICDI HP 03/21

"Lancer" and "Lancer Worldwide" are trademarks of Lancer Corp. © 2021 by Lancer™, all rights reserved.