



Lancer's **Delta III** is designed using the highest quality materials and proven technology providing our customers with consistent drink quality.

Features

- R134A refrigerant
- Fully louvered top provides air circulation for more efficient operation
- Stainless steel construction exterior and interior
- LEV® valves standard, other valves available upon request
- Key lock switch
- Lancer™ electronic ice bank control

Accessories and Options

Shrouded Merchandiser with Lighted Marquee

Certified by these agencies:



CUSTOMER SERVICE

Should you require more information about our products, please do not hesitate to contact our customer service team at custserv@lancerworldwide.com.



WARRANTY

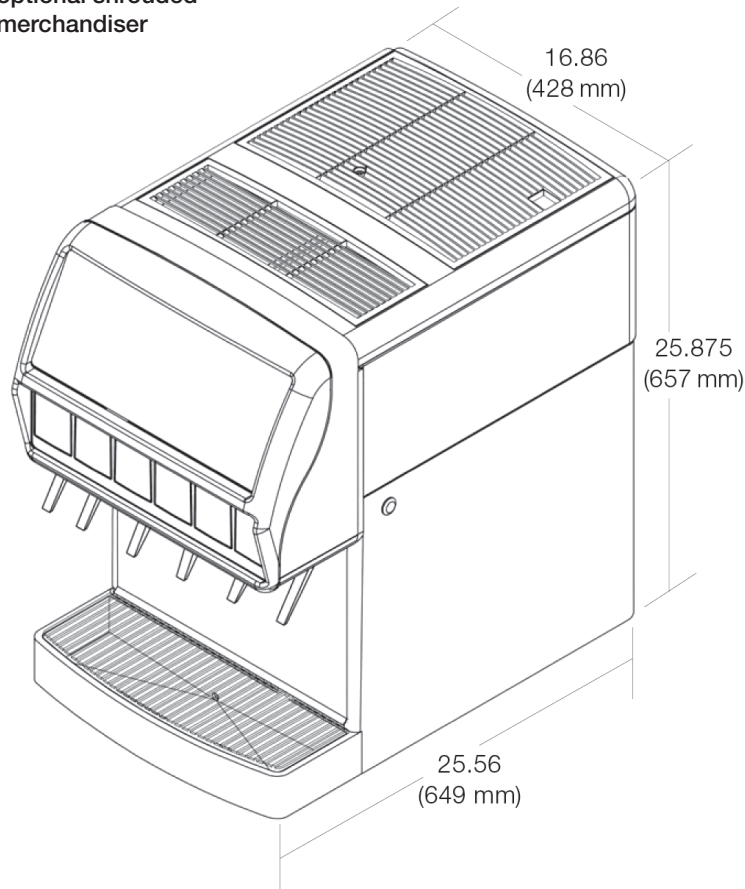
For warranty specifics by product, contact your Lancer™ Sales Representative. Equipment design and/or specifications are subject to change without notice.

For more information visit lancerworldwide.com or call 1-800-729-1500

6655 Lancer Boulevard • San Antonio, TX 78219 • 210-310-7000 • Fax: 210-310-7250 • © 2021 Lancer™ Worldwide • Delta III CC 03/21

Coke and all affiliated brands are registered trademarks of the Coca-Cola® company.

Delta III with optional shrouded merchandiser



Distinctive Design

Flex Manifold Configuration

- 5 Valve: 3-2
- 6 Valve: 3-3

Dimensions

25.87" H x 16.86" W x 25.56" D
(657 mm H x 428 mm W x 649 mm D)

Weight

Empty: 146 lbs (66.2 kg)
Operating: 237 lbs (107.5 kg)
Shipping: 160 lbs (72.6 kg)

Ice Bank weight

25-28 lbs (11.3 - 12.7 kg)

Electrical

115V/60Hz, 9 Amps
230V/50Hz, 4.5 Amps

Compressor

1/3 hp

Motors

Agitator: 25 w
Condenser fan: 9 w

Fittings

Carbonated Water Inlet: 3/8"(9.5 mm) male flare
Plain Water inlet: 3/8"(9.5 mm) male barb
Syrup inlets: 1/4"(6.35 mm) male barb

For more information visit lancerworldwide.com or call 1-800-729-1500

6655 Lancer Boulevard • San Antonio, TX 78219 • 210-310-7000 • Fax: 210-310-7250 • © 2021 Lancer™ Worldwide • Delta III CC 03/21

"Lancer" and "Lancer Worldwide" are trademarks of Lancer Corp. © 2021 by Lancer™, all rights reserved.