



Lancer's **Turbo Carbonator** is designed using the highest quality materials and proven technology.

Features

- Superior quality and reliability
- Built-in, advanced diagnostics system
- Anderson Brass vented check valve
- Heavy duty, high capacity tank
- Solid state electronics
- High capacity for fast flow valves
- ASSE approved check valve
- Stainless steel backflow preventor

Performance Data

- With 60°F inlet water, **Turbo Carbonator** will provide inline carbonation levels of 6.0 volumes
- With 75°F inlet water, **Turbo Carbonator** will provide carbonation levels of 5.5 volumes

Certified by these agencies:



CUSTOMER SERVICE

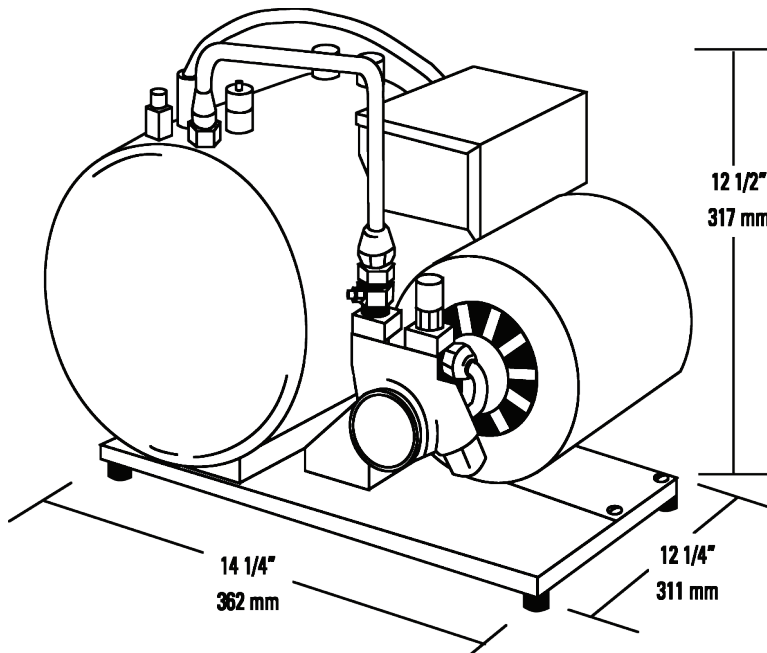
Should you require more information about our products, please do not hesitate to contact our customer service team at custserv@lancerworldwide.com.



WARRANTY

For warranty specifics by product, contact your Lancer™ Sales Representative. Equipment design and/or specifications are subject to change without notice.

For more information visit lancerworldwide.com or call 1-800-729-1500



MODELS

Domestic

- 115V Turbo w/ standard brass VCV
- 115V Turbo w/ standard brass VCV & Insulated
- 115V Turbo w/ "T" & standard brass VCV

Export

- 220V Turbo w/ standard brass VCV
- 220V Turbo w/ standard brass VCV & Insulated
- 220V Turbo w/SS VCV

(All models include built-in diagnostics and vented check valve.)

Dimensions

12.5" H x 12.25"W x 14.25 D
(317mm H x 311mm W x 362mm D)

Weight

Shipping: 35 lbs (15.87 kg)

Electrical

115V/60Hz
230V/50/60Hz available

Tank Operating

Capacity: 215 oz (6.4 L)

Fittings

CO2 Inlet: 1/4" male flare
Water Inlet: 3/8" male flare
Soda Outlet: 2 X 3/8" male flare

Pump

100 GPH (379 LPH)

For more information visit lancerworldwide.com or call 1-800-729-1500