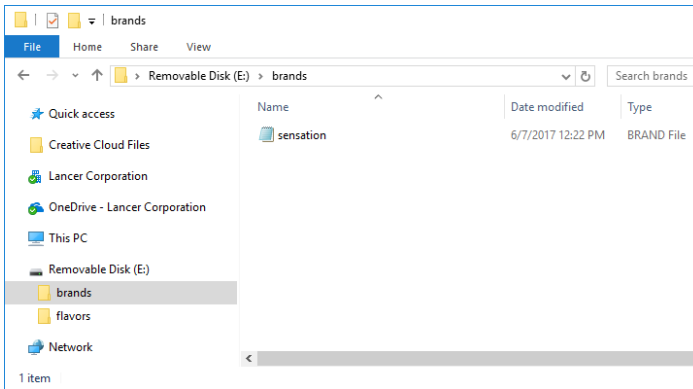


Update Brands/Flavors

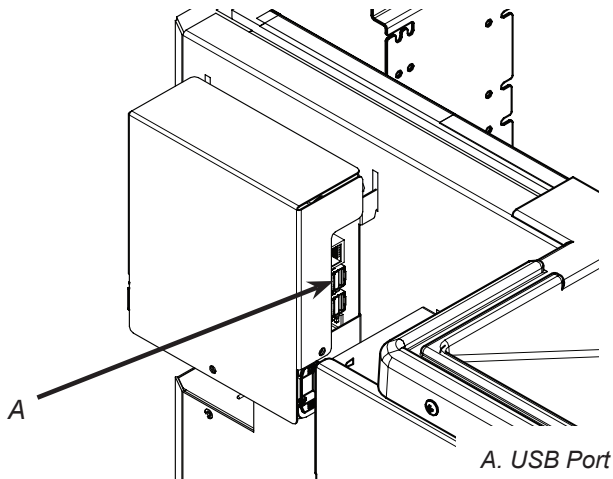
NOTE

USB drive must be formatted to “FAT32” to be read by the Twin Pour User Interface.

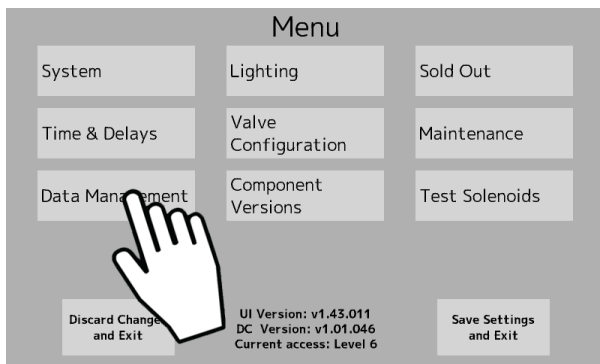
1. Create a USB drive with the updated *.brand* file in a folder named “brands” as shown in the image below.



2. Plug the USB into the port on the side of the PCB controller box, located in the upper left corner of the front of the unit.



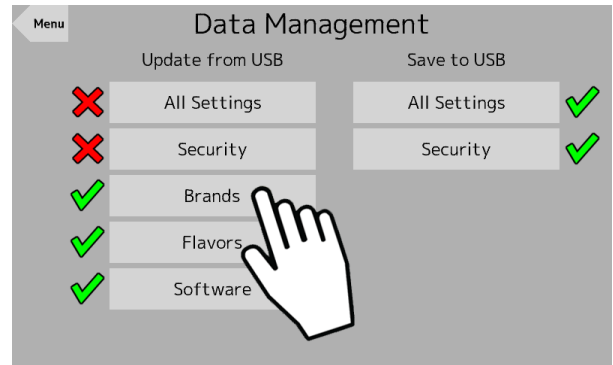
3. Access the Service menu on the left side screen and press the *Data Management* button.



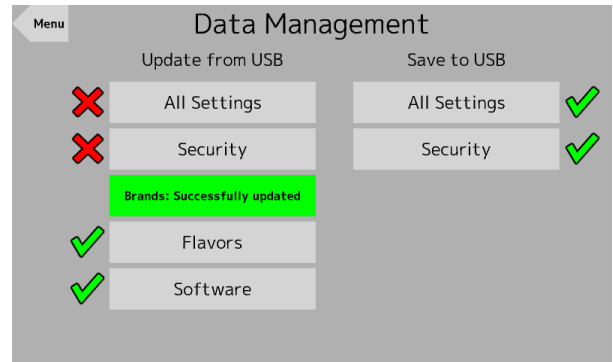
4. In the “Update from USB” section, press the *Brands* button.

NOTE

There will be a check mark next to the Brands button if the USB drive has the brand files in the correct place.



5. Once the Brands button turns green then the updated brands will be available.



6. Repeat Steps 2 - 5 for the right side PCB and screen.

NOTE

To upload new flavors to the TwinPour, create the *flavor.brand* file and put into a folder named “flavors”, then repeat steps 2-6.