



Stout Spout

Growler Filler Spout

The **köld Tap** forward sealing design shuts off the flow at the front of the tap which in turn keeps wild yeast and bacteria out of the interior of the tap body.

köld Tap uses a sliding shuttle that holds the o-ring perfectly in position allowing a more reliable connection to be made with the seal. This is what makes **köld Tap** the most reliable forward sealing design available.

köld Tap body and internal components are made from 304 grade stainless steel. köld Tap uses a threaded spout that can easily be removed and replaced with a range of other spouts including:

- Stout Spout
- Growler Filler Spout

köld Tap allows you to simply unscrew the standard spout and attach a range of different spout options to suit your beer style. Eliminate the need to ever replace your beer taps again and simply just purchase the spouts that you need.

PATENTED DESIGN

Taps are designed and sold under several registered Patents with USPTO (US6457614, US6626420, US7077299) and WIPO.



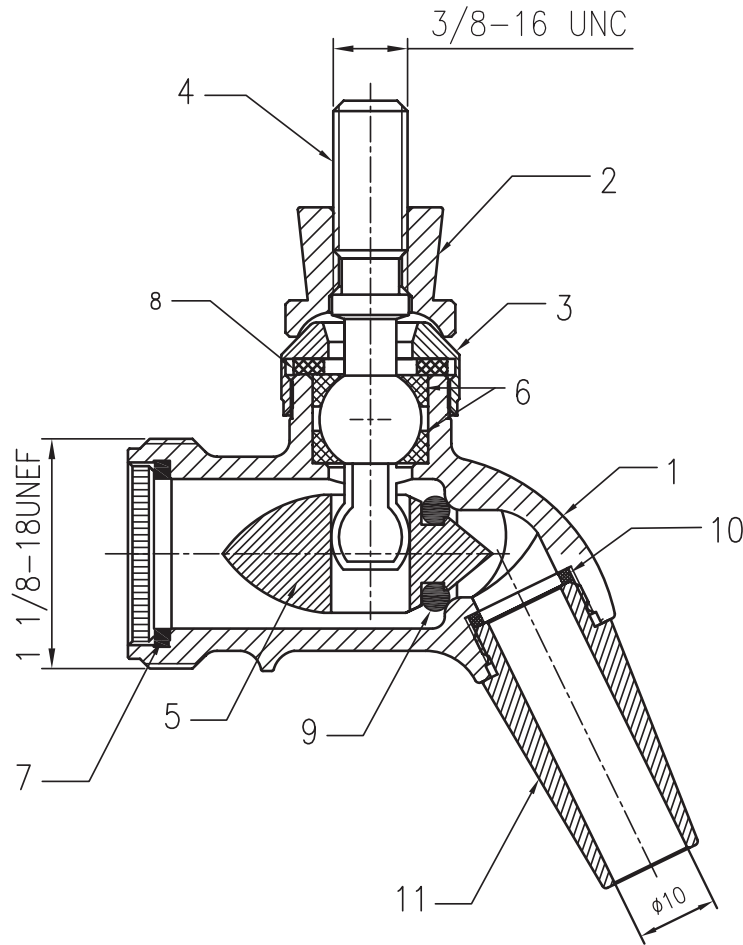
WARRANTY

For warranty specifics by product, contact your Lancer Sales Representative. Equipment design and/or specifications are subject to change without notice.

CUSTOMER SERVICE

Should you require more information about our products, please do not hesitate to contact our customer service team at custserv@lancerworldwide.com.

For more Information visit lancerworldwide.com or call 1-888-846-6729



- | | |
|----------------------|--------------------------|
| 1. Tap Body | 9. Shuttle Seat O-Ring |
| 2. Tap Handle Collar | 10. Nozzle Washer |
| 3. Tap Bonnet | 11. 10mm Standard Nozzle |

- | |
|------------------------|
| 4. Tap Leaver |
| 5. Tap Shuttle |
| 6. Ball Seals |
| 7. Tap Coupling Washer |
| 8. Bonnet Washer |

REPLACEMENT SEAL KIT

PART: #8480

(To suit tap models 8022 & 8039)

INCLUDES ABOVE PARTS:

6, 7, 8, 9, 10

For more Information visit lancerworldwide.com or call 1-888-846-6729