

INSTALLATION INSTRUCTIONS FOR 1500E LEG KIT

1. INSTALLATION INSTRUCTIONS (SEE FIGURE 1)

- 1.1 Install leg mounting bracket (PN 51-0745) to bottom of dispenser using four (4) screws (PN 04-0061) as shown in Figure 1.

NOTE

Leg Kit should be installed prior to final installation of the dispenser unit.

- 1.2 Assemble four (4) legs (PN 81-0112) to leg mounting bracket by screwing legs into threaded weld nuts at each corner as shown in Figure 1.

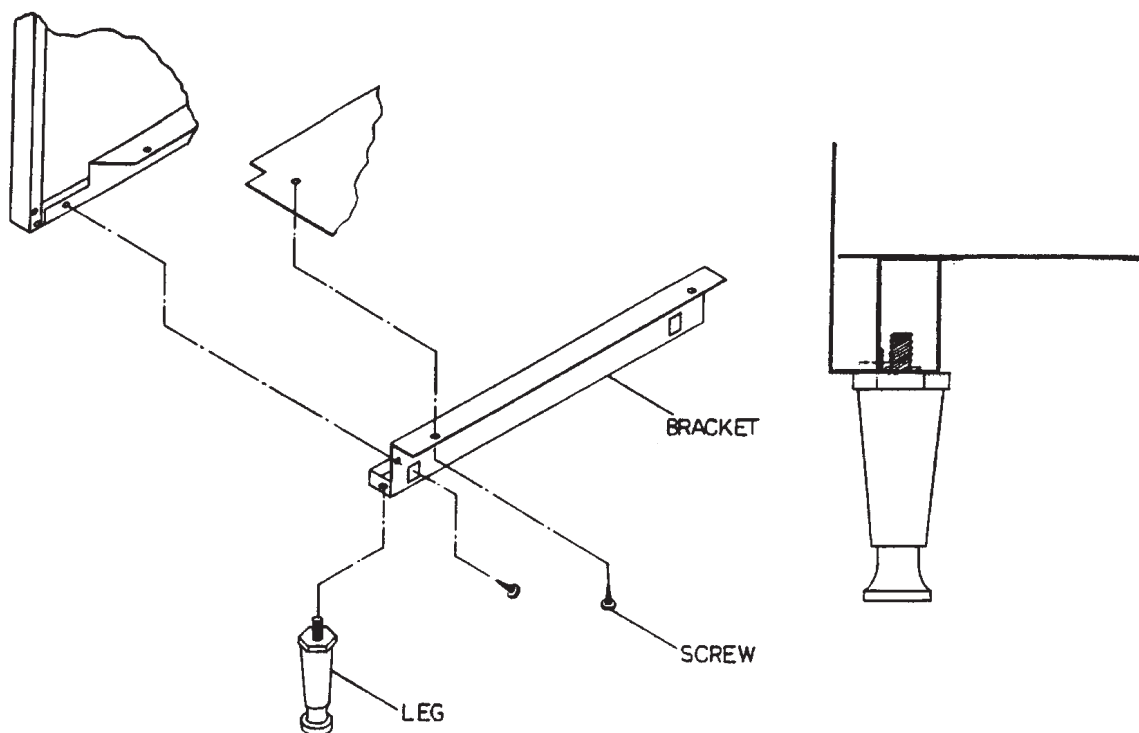


Figure 1

Check out the Lancer web site:
www.lancercorp.com

LANCER

6655 LANCER BLVD. • SAN ANTONIO, TEXAS 78219 USA • (210) 310-7000

FAX SALES

• USA-CANADA – 210-310-7250 • LATIN AMERICA – 210-310-7245 • ASIA – 210-310-7242 •
• EUROPE – 32-2-755-2399 • PACIFIC – 61-8-8268-1978 •

FAX ENGINEERING: • 210-310-7096

"Lancer" is the registered trademark of Lancer • Copyright — 1998 by Lancer, all rights reserved.

DATE: 06/30/98
P.N.: 28-0097/01