

PARTS AND INSTALLATION INSTRUCTIONS

FOR INSTALLING DRIP TRAY ASSEMBLY

TO SERIES 1500EI COUNTER ELECTRIC DISPENSER

1. INSTALLATION INSTRUCTIONS (See Figure 1)

CAUTION

DO NOT INSTALL BASE UNTIL THE UNIT IS PLACED IN ITS FINAL LOCATION.

- 1.1 Install Base (PN 30-5310) to Cabinet Assembly. Secure Base to Cabinet Assembly, using four (4) screws (PN 04-0061).
- 1.2 Attach Drain Hose (PN 08-0083) to Drip Tray (PN 54-0017) and install Drip Tray into Base.
- 1.3 Install Splash Plate (PN 30-0520).
- 1.4 Install Cup Rest (PN 23-0159).
- 1.5 Installation is now complete.

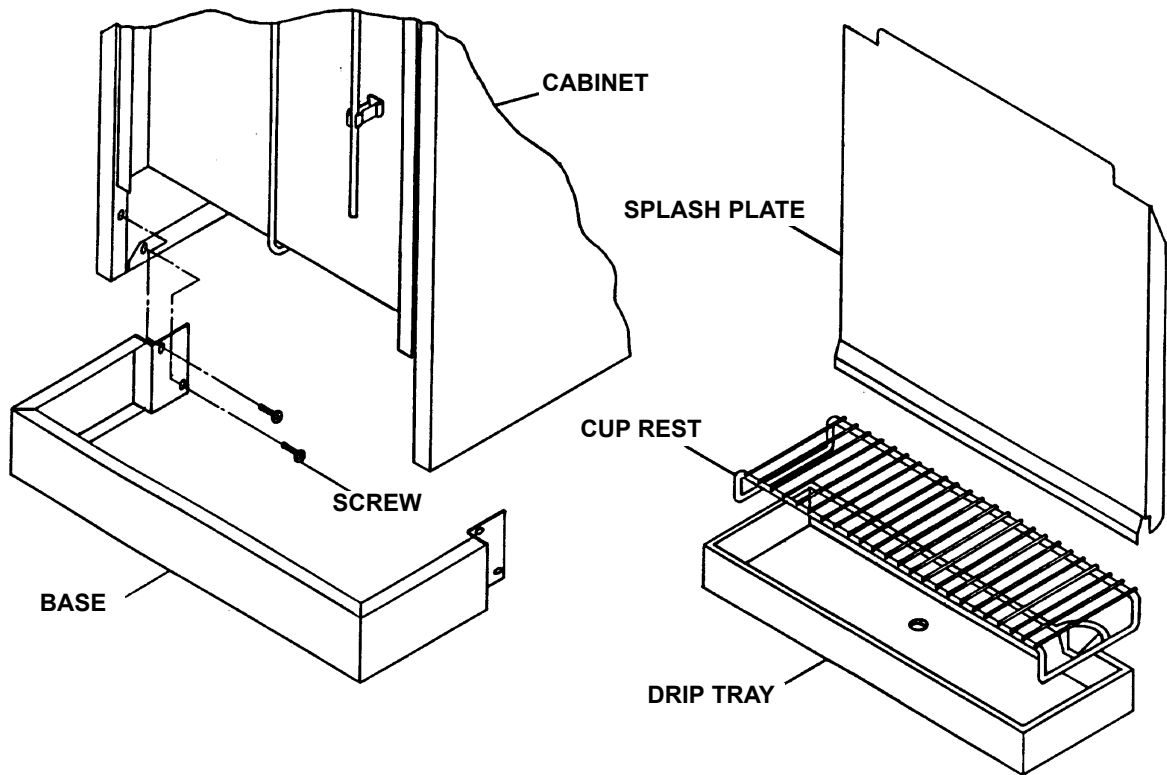


Figure 1