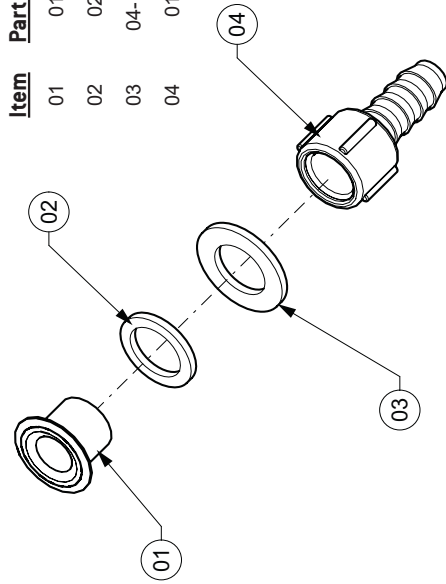


The following illustrates the steps necessary to install drain fitting to existing tower drain pan.

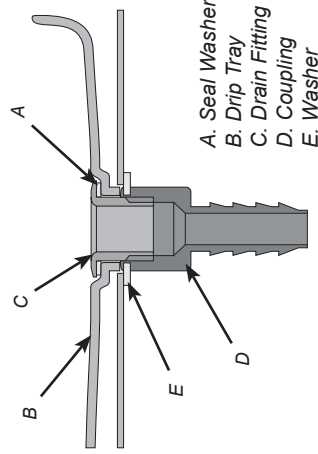
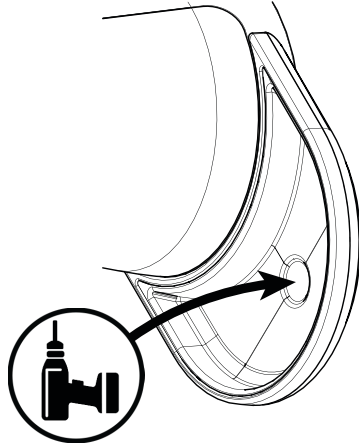
### Kit Contents - 82-5000



Item	Part Number	Description	Qty
01	01-2994	Drain Fitting	1
02	02-0677	Seal, Washer, Drain	1
03	04-1710/01	Washer, Flat	1
04	01-2991	Coupling, Female	1

### Installation Instructions

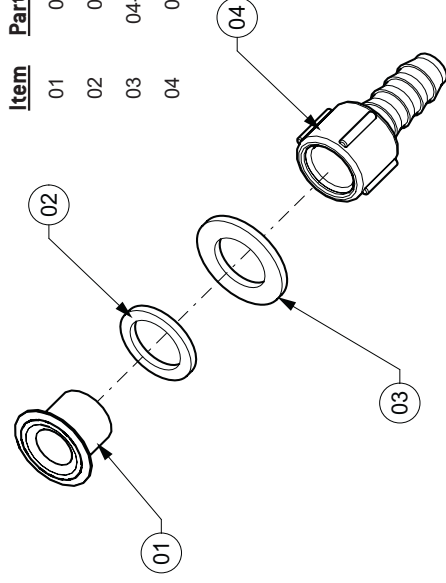
1. Use a drill to create a 1 inch hole in center of drip tray.
2. Place seal washer (Lancer PN: 02-0677) over drilled hole in drip tray.
3. Position the drain fitting (Lancer PN: 01-2994) in hole over the top of the seal washer and drip tray.
4. Place the flat washer (Lancer PN: 04-1710/01) on the underside of the drip tray, over the drain fitting.
5. Screw the coupling (Lancer PN: 01-2991) onto the drain fitting until drain assembly fits tight on drip tray.



Lancer Corp., 6655 Lancer Blvd., San Antonio, Texas 78219 - 800-729-1500 - Technical Support/Warranty: 800-729-1550  
custserv@lancercorp.com - lancercorp.com - Manual PN: 28-3018 - August 2018  
"Lancer" is the registered trademark of Lancer © 2018 by Lancer, all rights reserved.

The following illustrates the steps necessary to install drain fitting to existing tower drain pan.

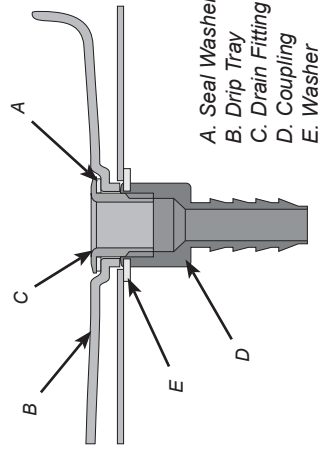
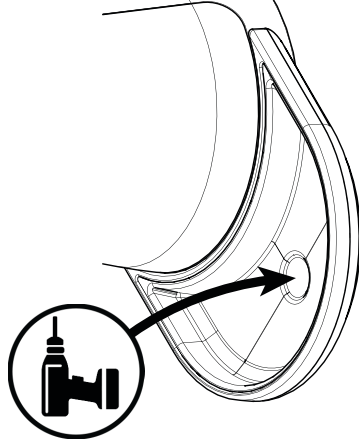
### Kit Contents - 82-5000



Item	Part Number	Description	Qty
01	01-2994	Drain Fitting	1
02	02-0677	Seal, Washer, Drain	1
03	04-1710/01	Washer, Flat	1
04	01-2991	Coupling, Female	1

### Installation Instructions

1. Use a drill to create a 1 inch hole in center of drip tray.
2. Place seal washer (Lancer PN: 02-0677) over drilled hole in drip tray.
3. Position the drain fitting (Lancer PN: 01-2994) in hole over the top of the seal washer and drip tray.
4. Place the flat washer (Lancer PN: 04-1710/01) on the underside of the drip tray, over the drain fitting.
5. Screw the coupling (Lancer PN: 01-2991) onto the drain fitting until drain assembly fits tight on drip tray.



Lancer Corp., 6655 Lancer Blvd., San Antonio, Texas 78219 - 800-729-1500 - Technical Support/Warranty: 800-729-1550  
custserv@lancercorp.com - lancercorp.com - Manual PN: 28-3018 - August 2018  
"Lancer" is the registered trademark of Lancer © 2018 by Lancer, all rights reserved.