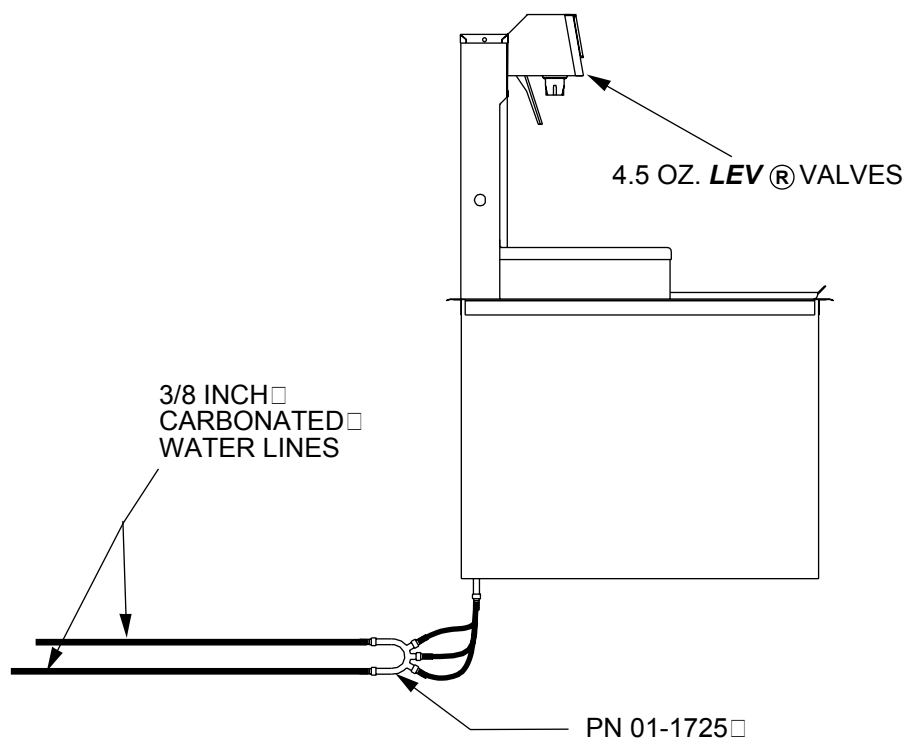


# INSTRUCTION SHEET

## CARBONATED WATER INSTALLATION GUIDE

### FOR DISPENSERS EQUIPPED WITH 4.5 LEV®

1. Your new dispenser is fitted with 4.5 LEV® valves.
2. To take full advantage of the valve's high flow rate and superior syrup/soda proportioning, it is important to supply an unrestricted flow of water to the dispenser.
3. An unrestricted flow of water may be secured by running two (2) 3/8 inch carbonated water lines to the dispenser and connecting them to the dispenser's water inlets with the supplied 2-in/3-out barbed manifold (PN 01-1725). The third out (flare) connection on the manifold may be used in the event that carbonated water is desired for all valves.



*Please refer to the Lancer web site ([www.lancercorp.com](http://www.lancercorp.com)) for information relating to Lancer Installation and Service Manuals, Instruction Sheets, Technical Bulletins, Service Bulletins, etc.*

**This instruction sheet was reissued by Lancer in August 1997**

"Lancer" is the registered trademark of Lancer • Copyright — 1997 by Lancer, all rights reserved.

# LANCER

6655 LANCER BLVD. • SAN ANTONIO, TEXAS 78219 USA • (210) 310-7000

FAX SALES

• NORTH AMERICA – 210-310-7245 • INTERNATIONAL SALES – 210-310-7242 • CUSTOMER SERVICE – 210-310-7242 •  
• LATIN AMERICA – 210-310-7245 • EUROPE – 32-2-755-2399 • PACIFIC – 61-8-8268-1978 •

FAX ENGINEERING: • 210-310-7096

"Lancer" is the registered trademark of Lancer • Copyright — 1996 by Lancer, all rights reserved.

DATE: 05/10/96  
P.N.: 28-0633