

INSTALLATION INSTRUCTIONS

ICE COOLED DISPENSER

FOR ONE PIECE 23" SOFT PLUMB DRIP TRAY

1. INSTALLATION INSTRUCTIONS

1.1 STEP ONE

Remove existing drip tray (PN 51-5075).

1.2 STEP TWO

Install drain tubing adapter (PN 08-0254; 2 7/16" supplied, trim as necessary) to existing plastic (PVC) drain tube protruding from cabinet.

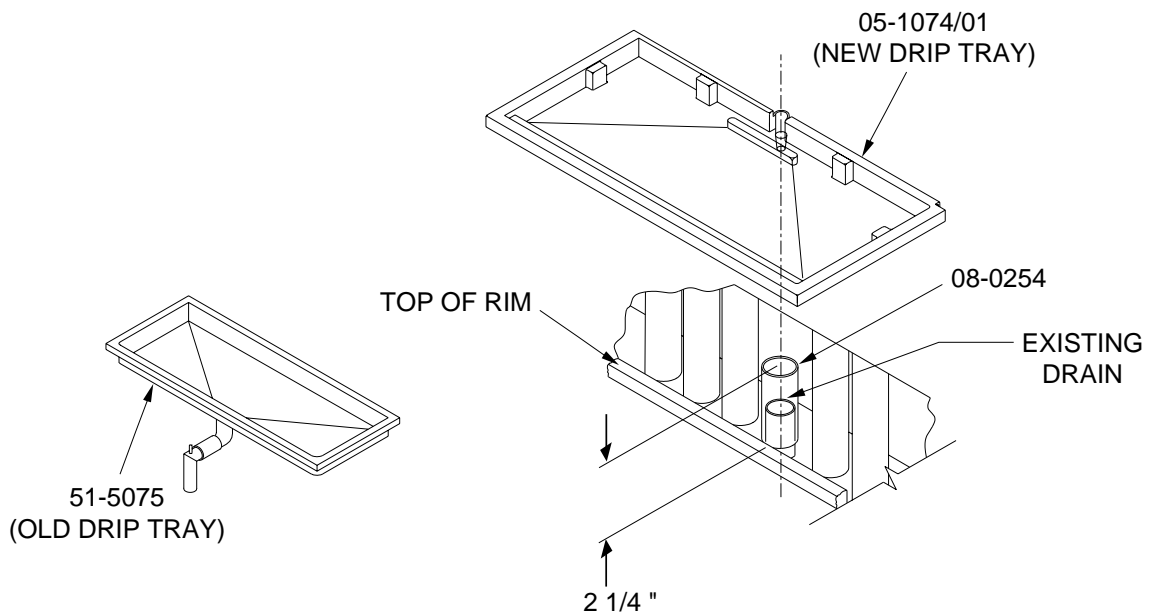
NOTES

Lubricating the inside of the drain tubing adapter (PN 08-0254) with soap water will make it easier to slip into place.

Total height from top of the new drain tubing adapter to top of rim is 2 1/4 inches (see illustration).

1.3 STEP THREE

Place new drip tray (PN 05-1074/01, supplied) into position. When installing new drip tray, use caution to insure drain from the new drip tray is properly inserted into the newly installed drain tubing adapter.



Please refer to the Lancer web site (www.lancercorp.com) for information relating to Lancer Installation and Service Manuals, Instruction Sheets, Technical Bulletins, Service Bulletins, etc.

LANCER

6655 LANCER BLVD. • SAN ANTONIO, TEXAS 78219 USA • (210) 310-7000

FAX SALES

• NORTH AMERICA – 210-310-7245 • INTERNATIONAL SALES – 210-310-7242 • CUSTOMER SERVICE – 210-310-7242 •
• LATIN AMERICA – 210-310-7245 • EUROPE – 32-2-755-2399 • PACIFIC – 61-8-8268-1978 •

FAX ENGINEERING: • 210-310-7096

"Lancer" is the registered trademark of Lancer • Copyright — 1996 by Lancer, all rights reserved.

DATE: 04/15/96
P.N.: 28-0627